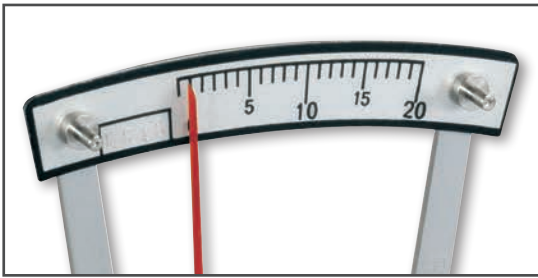
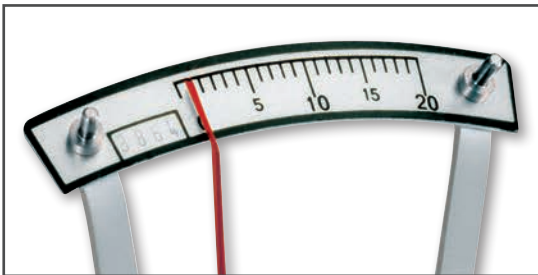
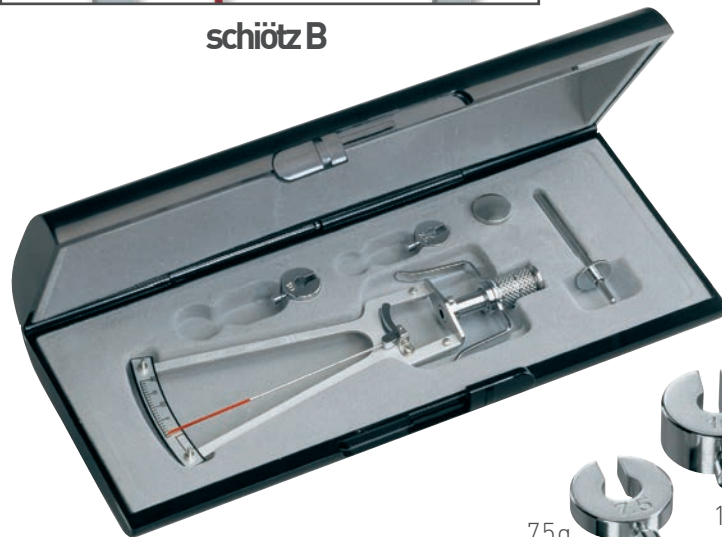


# schiotz tonometer


**schiotz A**

**schiotz B**


7.5g



10g



5.5g


**schiotz C**

**A masterpiece of precision mechanics!** Highly precise eye tonometer according to Prof. Schiötz for measuring intra-ocular pressure. Its **reliability and durability** makes this quality measuring instrument indispensable in every ophthalmologist's practice and eye clinic.

- High quality agate bearing for an extremely long service life
- Precision measurement on a scale of 0 to 20 subdivisions and 0 to -1 subdivisions
- Perfect reading of the scale with red pointer
- All vital parts are made of stainless steel, other parts are chrome-plated
- Complete in a black deluxe case with velvet-look inserts
- Supplied with three weights (5.5 g, 7.5 g, 10 g) and a conversion table

<b>No. 5110</b>	schiotz A Tonometer, straight scale, silver
<b>No. 5111</b>	schiotz A Tonometer, inclined scale, silver
<b>No. 5112</b>	schiotz A Tonometer, inclined scale, silver
<b>No. 5113</b>	schiotz A Tonometer, inclined scale, gold
<b>No. 5114</b>	schiotz C Tonometer, inclined scale, silver, with 4 weights

Please visit **riester.de** for more information